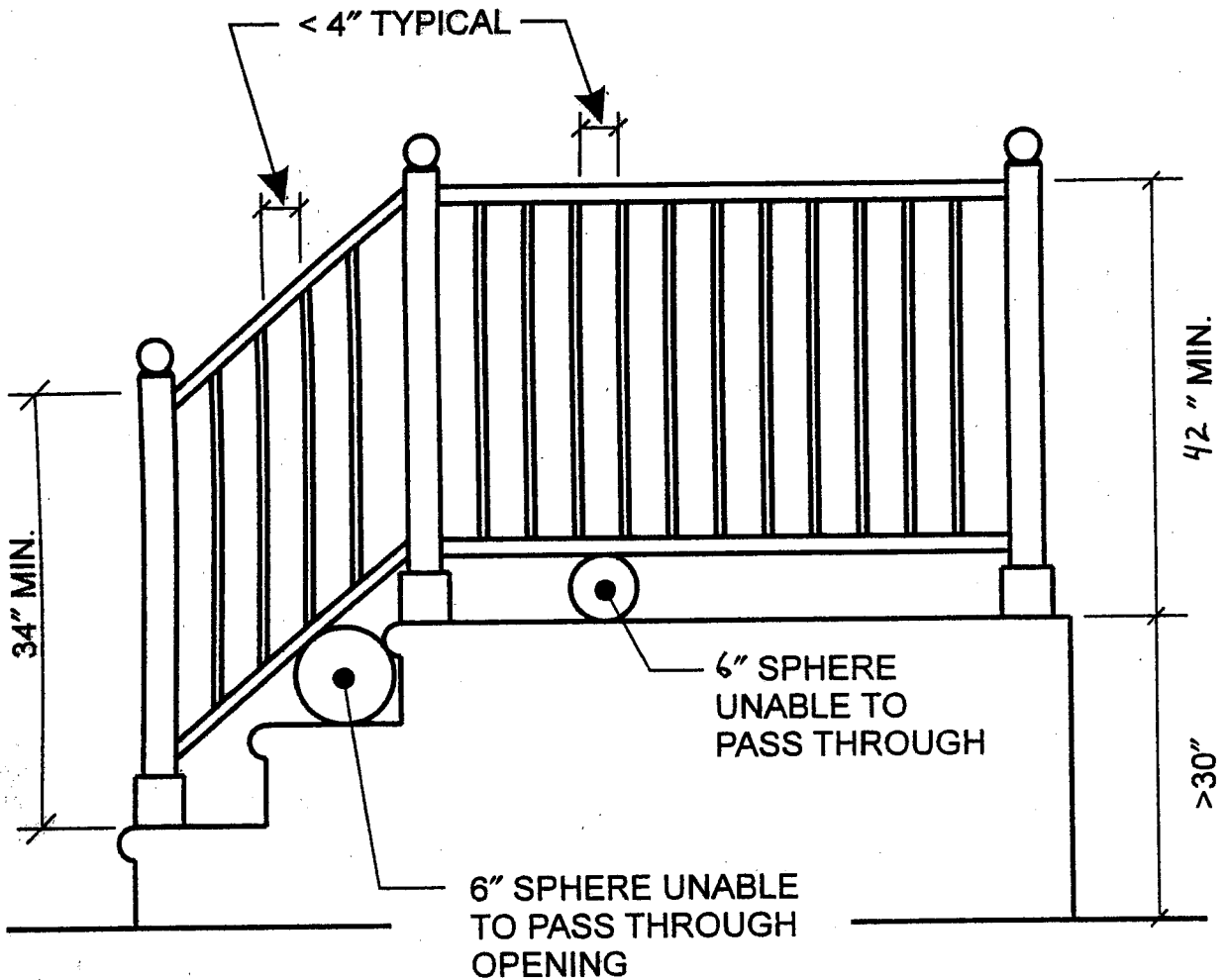


Deck Details



Notes:

1. If deck is over 30 inches above ground then railing must be at least 42 inches high.
2. Guard must be that a 4 inch ball cannot pass through the guard.
3. Stairs – Minimum 10 inch tread and maximum 7 3/4 inch riser.
4. Handrail – 34 to 38 inches measured vertically above nosing of stairs and be circular in crosssection for grasp ability (1 1/4 to 2 5/8 inches in diameter).